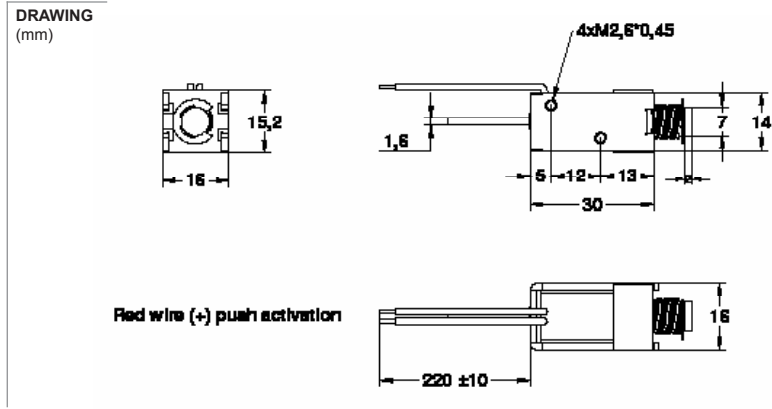


K0730S (latching push type)



MODEL NO. DESIGNATION

K0730S - VOLTAGE

Example: K0730S-12V

SOLENOID DATA					
Duty cycle / ED (%) ▶	Continuous (100%)	Intermittent (50%)	Intermittent (25%)	Intermittent (10%)	
Watts @ 20°C ▶	3	6	12	30	
Maximum time in energized state (in seconds) ▶	∞	50	25	8	
Part ▼	Resistance (20°C) ± 10% (Ω) ▼	DC Volts (V) ▼			
K0730S-06V	6	4.2	6	8.5	13.4
K0730S-12V	24	8.5	12	17	26.8
K0730S-24V	96	17	24	34	53.7

SOLENOID FEATURES AND STANDARD DATA		
	STANDARD	CUSTOMIZATION OPTIONS
Type	Push type latching DC solenoid	
Cable	Flying wire 230mm	Length, type and connector
Voltage	6 to 24 VDC @ 100% ED	Other voltages upon request
Life time	At least 500.000 single strokes	
Plunger material	Carbon steel 12L14	
Protection class	IP00	
Insulation grade	B	
Operating temperature	-5°C ... +40°C	
Manufacturing quality standards	ISO9001:2008, ISO/TS 16949:2002	
RoHS compliance	Yes	
CE approval	No	
UL approval	No	

ADDITIONAL DATA	
Holding force, permanent magnet	500g
Weight	35g
Return spring	Yes

SPRING DATA	
Loading force @ 1mm compression	93 ± 5g



DIAGRAM

