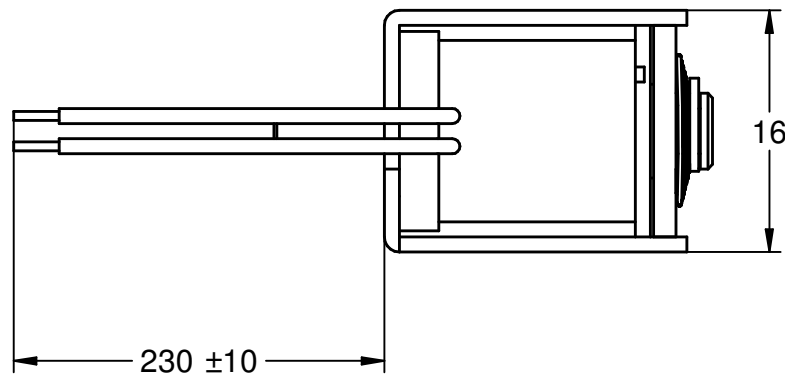
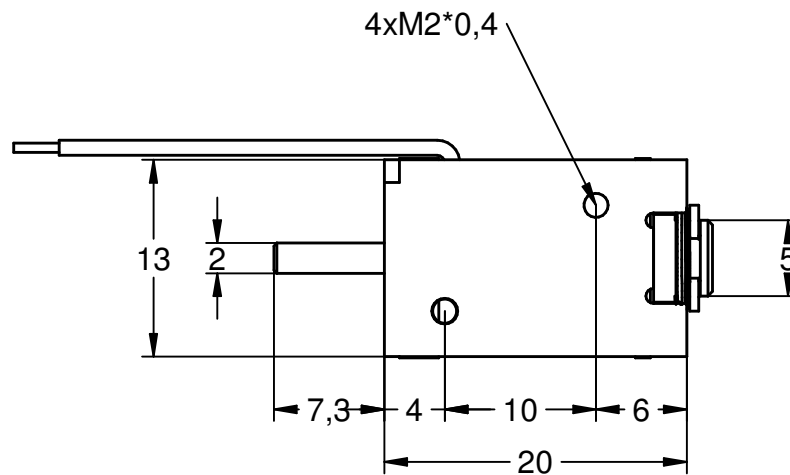


Red wire (+) push activation



Label

1 Article No.
Date: YY.MM.DD
www.transmotec.com



Article No. K0520S		Base model		
Scale 2:1	Projection 	Date 2019-10-21	Rev. Date	Rev. No.

Copyright

This drawing contains confidential information and is the property of Transmotec Sweden AB, without whose permission it may not be copied, shown or handed to a third party or otherwise used and is to be returned promptly upon request to the design owner, who is responsible for the drawing.