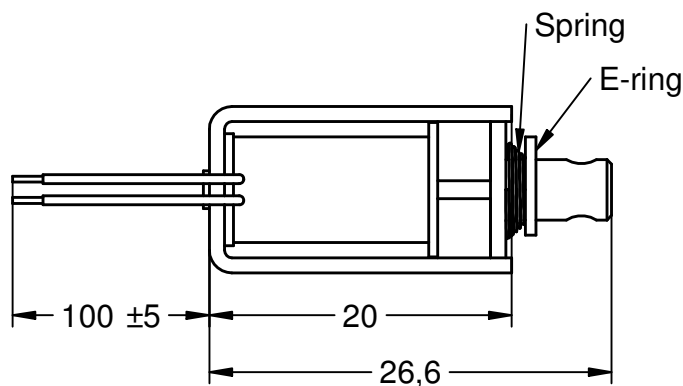


Red wire (+) pull activation  
 Red wire (-) release activation



Label

Article No.  
 Date: YY.MM.DD  
 www.transmotec.com



Base Model  
 K0420L

Scale  
 2:1



Date  
 2019-05-22

Rev. Date

Rev. No.

**Copyright**

This drawing contains confidential information and is the property of Transmotec Sweden AB, without whose permission it may not be copied, shown or handed to a third party or otherwise used and is to be returned promptly upon request to the design owner, who is responsible for the drawing.