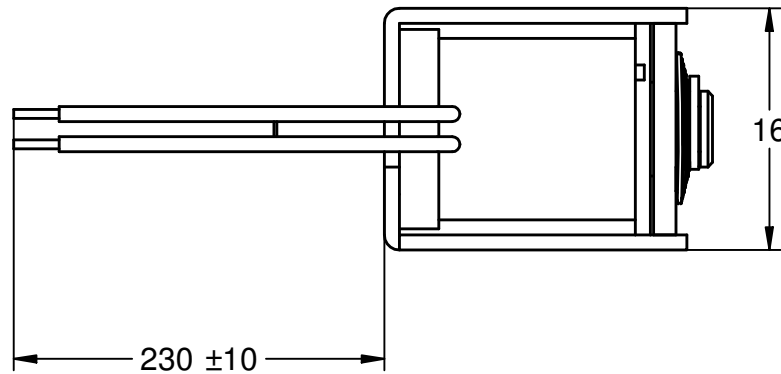

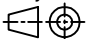


Red wire (+) pull activation  
 Red wire (-) release activation



Label

1 Article No.  
 Date: YY.MM.DD  
 www.transmotec.com

 <b>TRANSMOTEC</b> <a href="http://www.transmotec.com">www.transmotec.com</a>	Article No. K0520S	Base model		
	Scale 2:1	Projection 	Date 2019-10-21	Rev. Date

**Copyright**

This drawing contains confidential information and is the property of Transmotec Sweden AB, without whose permission it may not be copied, shown or handed to a third party or otherwise used and is to be returned promptly upon request to the design owner, who is responsible for the drawing.