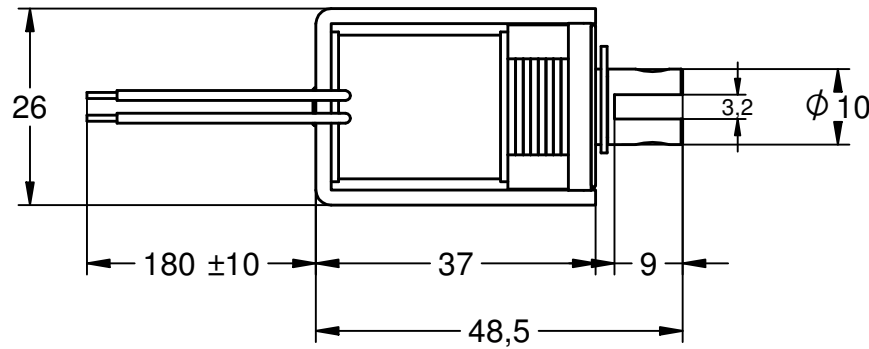

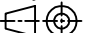


Red wire (+) pull activation  
Red wire (-) release activation



Label

1 Article No.  
Date: YY.MM.DD  
www.transmotec.com

 <b>TRANSMOTEC</b> www.transmotec.com	Article No. K1037L	Base model		
	Scale 1:1	Projection 	Date 2019-10-17	Rev. Date

**Copyright**

This drawing contains confidential information and is the property of Transmotec Sweden AB, without whose permission it may not be copied, shown or handed to a third party or otherwise used and is to be returned promptly upon request to the design owner, who is responsible for the drawing.